

595-046-E
1999-02-16



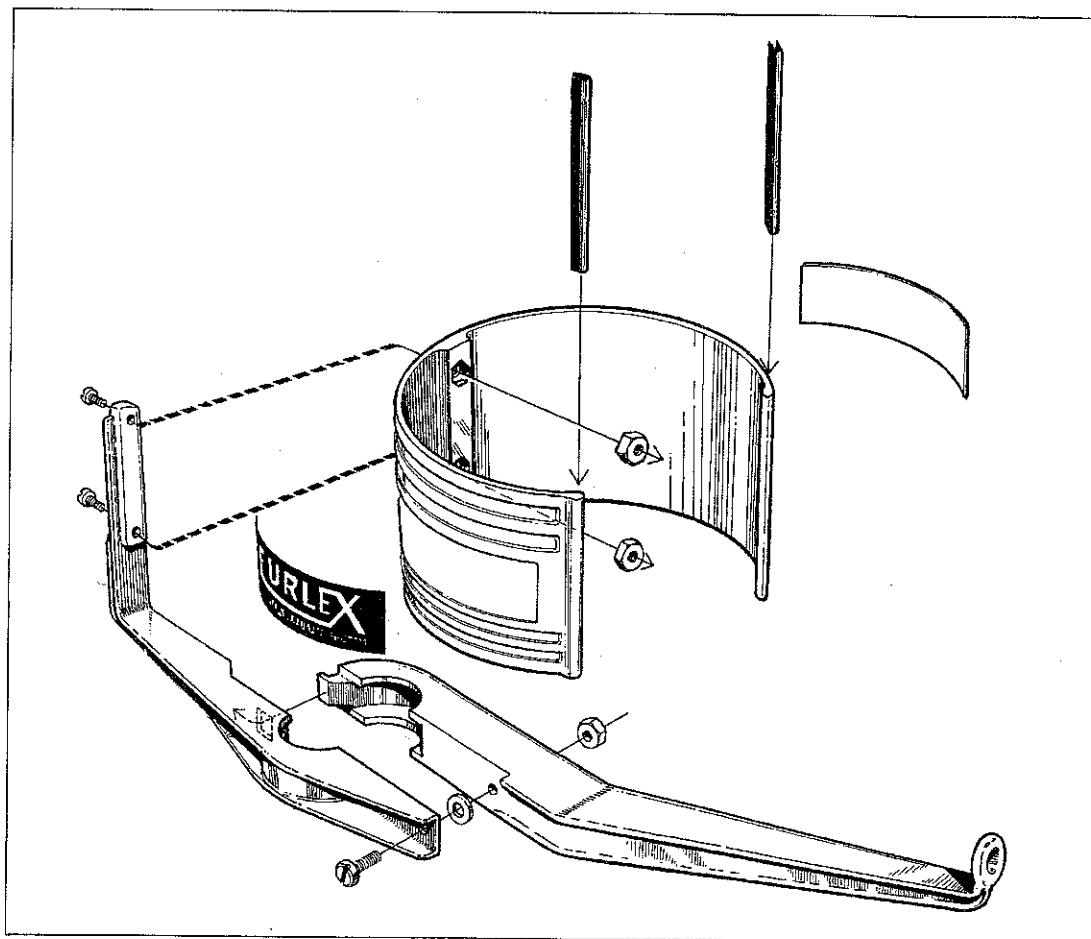
JIB FURLING & REEFING SYSTEM



Spare Part List

Type C & D

Worldwide dealer list

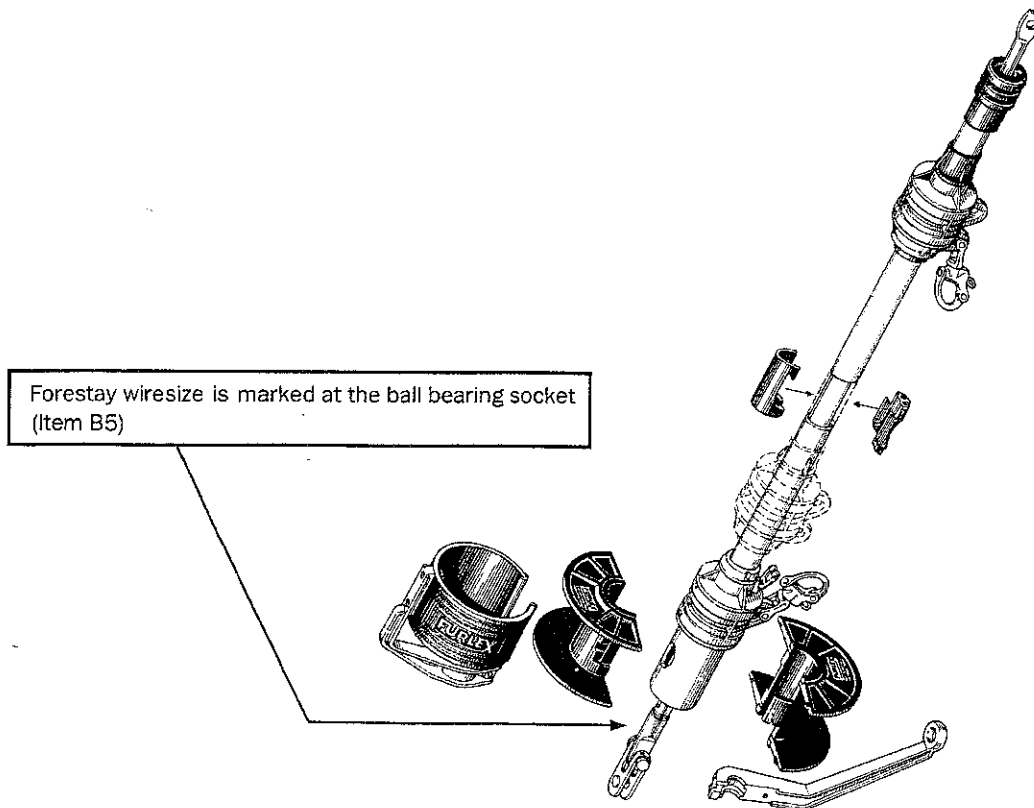


SELDÉN

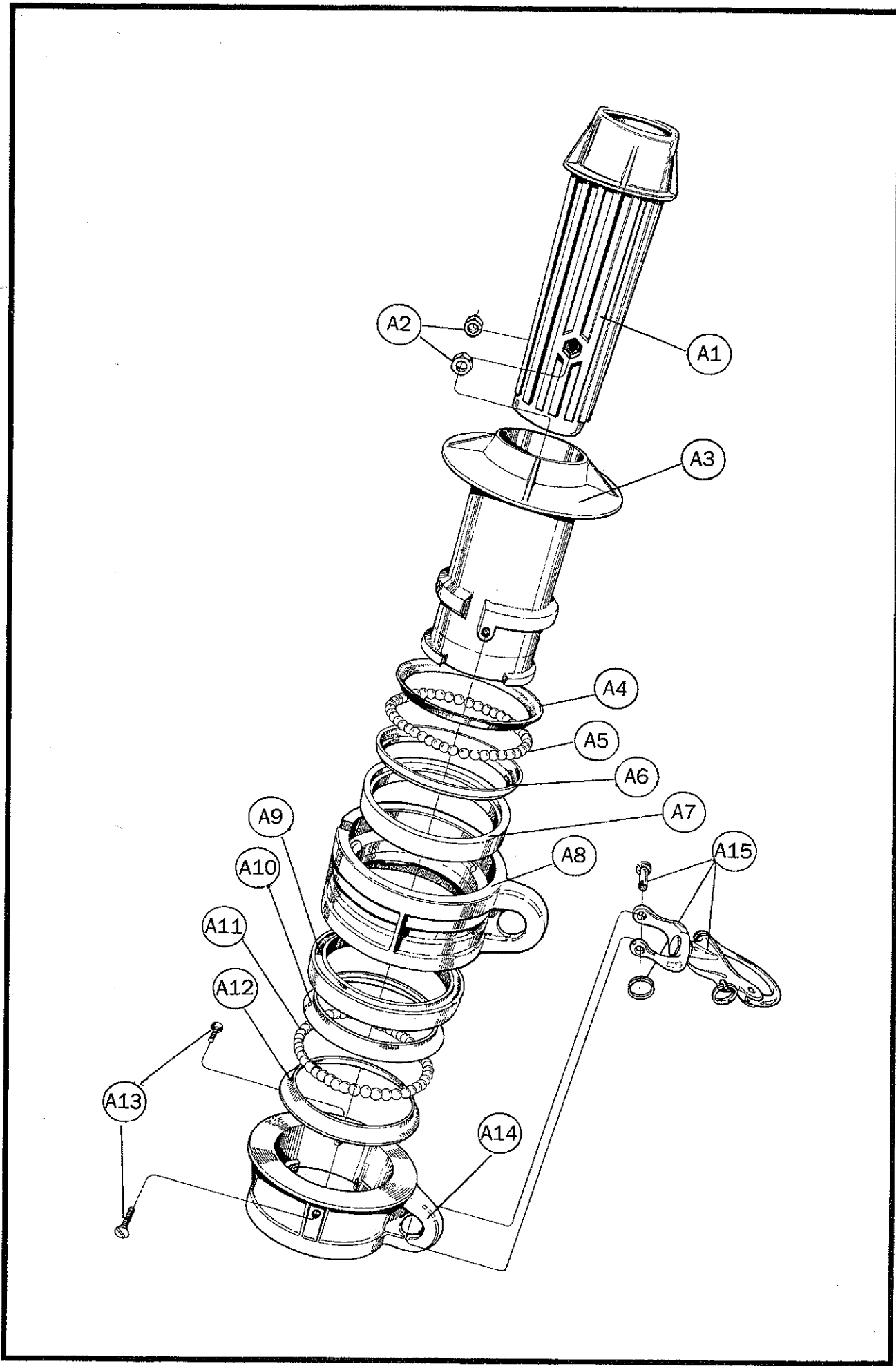
DESCRIPTION A

HALYARD SWIVEL

| Item | Description | Type C | | | | Type D | | | |
|------|---------------------------|-------------------|-----|--------------------|------------|-------------------|-----|--------------------|------------|
| | | Dimension | Qty | Forestay wire size | | Dimension | Qty | Forestay wire size | |
| | | | | ø8 mm | ø10 mm | | | ø12 mm | ø14 mm |
| | | Assembly number → | | 539-201-01 | 539-201-01 | Assembly number → | | 539-101-01 | 539-101-01 |
| A 1 | Sliding sleeve | ø60 × 190 | 1 | 539-207 | 539-207 | ø74 × 230 | 1 | 539-122 | 539-122 |
| A 2 | Locking nut | M6 | 2 | 158-005 | 158-005 | M8 | 2 | 158-006 | 158-006 |
| A 3 | Hub — Halyard swivel | ø102 × 140 | 1 | 539-201 | 539-201 | ø128 × 164 | 1 | 539-101 | 539-101 |
| A 4 | Ball bearing ring — inner | ø84 × ø66 × 8 | 1 | 539-220 | 539-220 | ø104 × ø86 × 8 | 1 | 539-110 | 539-110 |
| A 5 | Balls | ø8 | 30 | 539-128 | 539-128 | ø8 | 38 | 539-128 | 539-128 |
| A 6 | Ball bearing ring — outer | ø90 × ø66 × 11 | 1 | 539-219 | 539-219 | ø110 × ø86 × 12 | 1 | 539-109 | 539-109 |
| A 7 | Intermediate ring | ø88 × ø67 × 9 | 1 | 539-218 | 539-218 | ø110 × ø86 × 13 | 1 | 539-112 | 539-112 |
| A 8 | Eye ring-rotating-1 boss | ø102 × 60 | 1 | 539-203 | 539-203 | ø128 × 70 | 1 | 539-103 | 539-103 |
| A 9 | Intermediate ring | ø88 × ø67 × 9 | 1 | 539-218 | 539-218 | ø110 × ø86 × 13 | 1 | 539-112 | 539-112 |
| A10 | Ballbearing ring — outer | ø90 × ø66 × 11 | 1 | 539-219 | 539-219 | ø110 × ø86 × 12 | 1 | 539-109 | 539-109 |
| A11 | Balls | ø8 | 30 | 539-128 | 539-128 | ø8 | 38 | 539-128 | 539-128 |
| A12 | Ball bearing ring — inner | ø84 × ø66 × 8 | 1 | 539-220 | 539-220 | ø104 × ø86 × 8 | 1 | 539-110 | 539-110 |
| A13 | Screw | MFx6 × 25 | 2 | 162-032 | 162-032 | MFx8 × 30 | 2 | 162-034 | 162-034 |
| A14 | Flange eye collar | ø102 × 45 | 1 | 539-202 | 539-202 | ø128 × 50 | 1 | 539-102 | 539-102 |
| A15 | Snap shackle | 85 mm | 1 | 307-336 | 307-336 | 120 mm | 1 | 307-340 | 307-340 |



Seldén Mast AB reserves the right to alter the design or specification without prior warning, to allow unrestricted future product development.

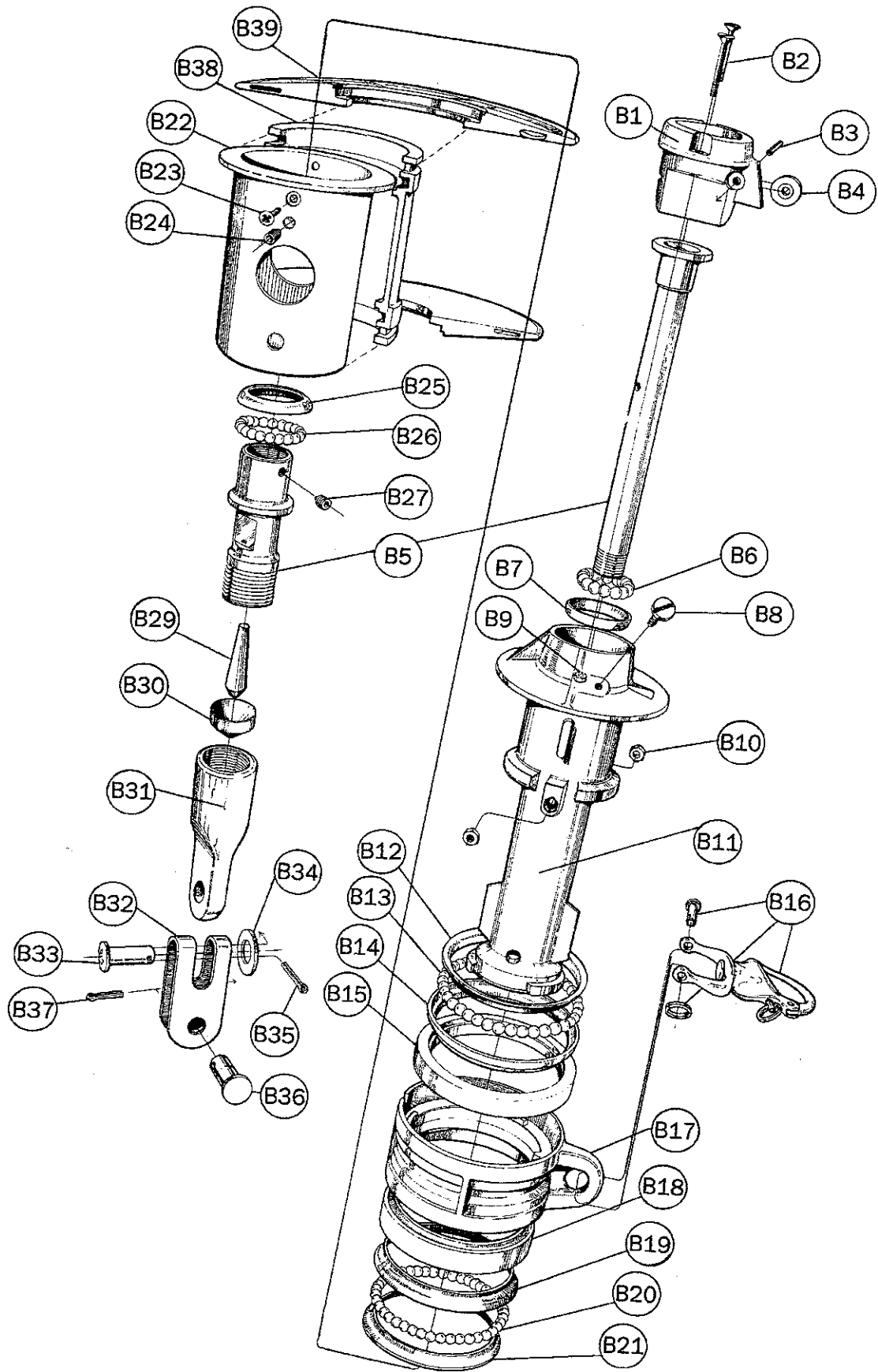


DESCRIPTION B

LOWER SWIVEL

| Item | Description | Type C | | | | Type D | | | |
|------|---------------------------|-------------------|------------|--------------------|-------------------|-----------------|------------|--------------------|--------------|
| | | Dimension | Qty | Forestay wire size | | Dimension | Qty | Forestay wire size | |
| | | | | ø8mm | ø10 mm | | | ø12 mm | ø14 mm |
| | | Assembly number → | 539-204-01 | 539-204-02 | Assembly number → | 539-104-01 | 539-104-02 | | |
| B 1 | Adapter | ø58 × 75 | 1 | 539-206 1) | 539-206 1) | ø70 × 75 | 1 | 539-107 1) | 539-107 1) |
| B 2 | Screw | MFX 6 × 40 | 2 | 162-024 | 162-024 | MFX 6 × 40 | 2 | 162-024 | 162-024 |
| B 3 | Spring pin | ø5 × 20 | 1 | 166-513 | 166-513 | ø5 × 20 | 1 | 166-513 | 166-513 |
| B 4 | Sheave | ø23 × ø6 × 10 | 1 | 504-310 | 504-310 | ø23 × ø6 × 10 | 1 | 504-310 | 504-310 |
| B 5 | Ball bearing socket | Wiredim. mark. | 1 | 301-172 2) | 301-173 2) | Wiredim. mark. | 1 | 301-160 2) | 301-161 2) |
| B 6 | Balls | ø8 | 12 | 539-128 | 539-128 | ø8 | 15 | 539-128 | 539-128 |
| B 7 | Ball bearing ring — outer | ø44 × ø26 × 8 | 1 | 539-223 | 539-223 | ø52 × ø34 × 8 | 1 | 539-111 | 539-111 |
| B 8 | Lubricate screw | M8 × 10 | 1 | 319-571 | 319-571 | M8 × 10 | 1 | 319-571 | 319-571 |
| B 9 | Locking nut | M6 | 2 | 158-005 | 158-005 | M6 | 2 | 158-005 | 158-005 |
| B10 | Locking nut | M6 | 2 | 158-005 | 158-005 | M6 | 2 | 158-005 | 158-005 |
| B11 | Inner hub — lower swivel | ø102 × 236 | 1 | 539-204 | 539-204 | ø128 × 269 | 1 | 539-104 | 539-104 |
| B12 | Ball bearing ring — inner | ø84 × ø66 × 8 | 1 | 539-220 | 539-220 | ø104 × ø86 × 8 | 1 | 539-110 | 539-110 |
| B13 | Balls | ø8 | 30 | 539-128 | 539-128 | ø8 | 38 | 539-128 | 539-128 |
| B14 | Ball bearing ring outer | ø90 × ø66 × 11 | 1 | 539-219 | 539-219 | ø110 × ø86 × 12 | 1 | 539-109 | 539-109 |
| B15 | Intermediate ring | ø88 × ø67 × 9 | 1 | 539-218 | 539-218 | ø110 × ø86 × 13 | 1 | 539-112 | 538-112 |
| B16 | Snap shackle | 85 mm | 1 | 307-336 | 307-336 | 120 mm | 1 | 307-340 | 307-340 |
| B17 | Eye ring-rotating boss | ø102 × 60 | 1 | 539-203 | 539-203 | ø128 × 70 | 1 | 539-103 | 539-103 |
| B18 | Intermediate ring | ø88 × ø67 × 9 | 1 | 539-218 | 539-218 | ø110 × ø86 × 13 | 1 | 539-112 | 539-112 |
| B19 | Ball bearing ring — outer | ø90 × ø66 × 11 | 1 | 539-219 | 539-219 | ø110 × ø86 × 12 | 1 | 539-109 | 539-109 |
| B20 | Balls | ø8 | 30 | 539-128 | 539-128 | ø8 | 38 | 539-128 | 539-128 |
| B21 | Ball bearing ring — inner | ø84 × ø66 × 8 | 1 | 539-220 | 539-220 | ø104 × ø86 × 8 | 1 | 539-110 | 539-110 |
| B22 | Outer hub — lower swivel | ø102 × 135 | 1 | 539-205 | 539-205 | ø128 × 155 | 1 | 539-105 | 539-105 |
| B23 | Screw | MFX 6 × 12 | 2 | 162-030 | 162-030 | MFX 6 × 12 | 2 | 162-030 | 162-030 |
| B24 | Insert thread | — | — | — | — | M8 × 5 | 4 | 170-102 | 170-102 |
| B25 | Ball bearing ring — outer | ø44 × ø26 × 8 | 1 | 539-223 | 539-223 | ø52 × ø34 × 8 | 1 | 539-111 | 539-111 |
| B26 | Balls | ø8 | 12 | 539-128 | 539-128 | ø8 | 15 | 539-128 | 539-128 |
| B27 | Grub screw | MSK6SS 6 × 6 | 1 | 153-101 | 153-101 | MSK6SS 6 × 6 | 1 | 153-101 | 153-101 |
| B29 | Wedge | L = 42 | 1 | 301-154 | — | L = 65 | 1 | 301-156 | — |
| B29 | Wedge | L = 50 | 1 | — | 301-155 | L = 77 | 1 | — | 301-162 |
| B30 | Former | ø16,3 | 1 | 301-159 | — | ø24,8 | 1 | 301-164 | — |
| B30 | Former | ø19,2 | 1 | — | 301-163 | ø31,0 | 1 | — | 301-165 |
| B31 | Terminal eye fitting | ø25 × 78 | 1 | 301-168 2)*) | — | ø35 × 110 | 1 | 301-170 2)*) | — |
| B31 | Terminal eye fitting | ø28 × 90 | 1 | — | 301-169 2)*) | ø41 × 134 | 1 | — | 301-171 2)*) |

*) Alt. use a standard STALOK eye

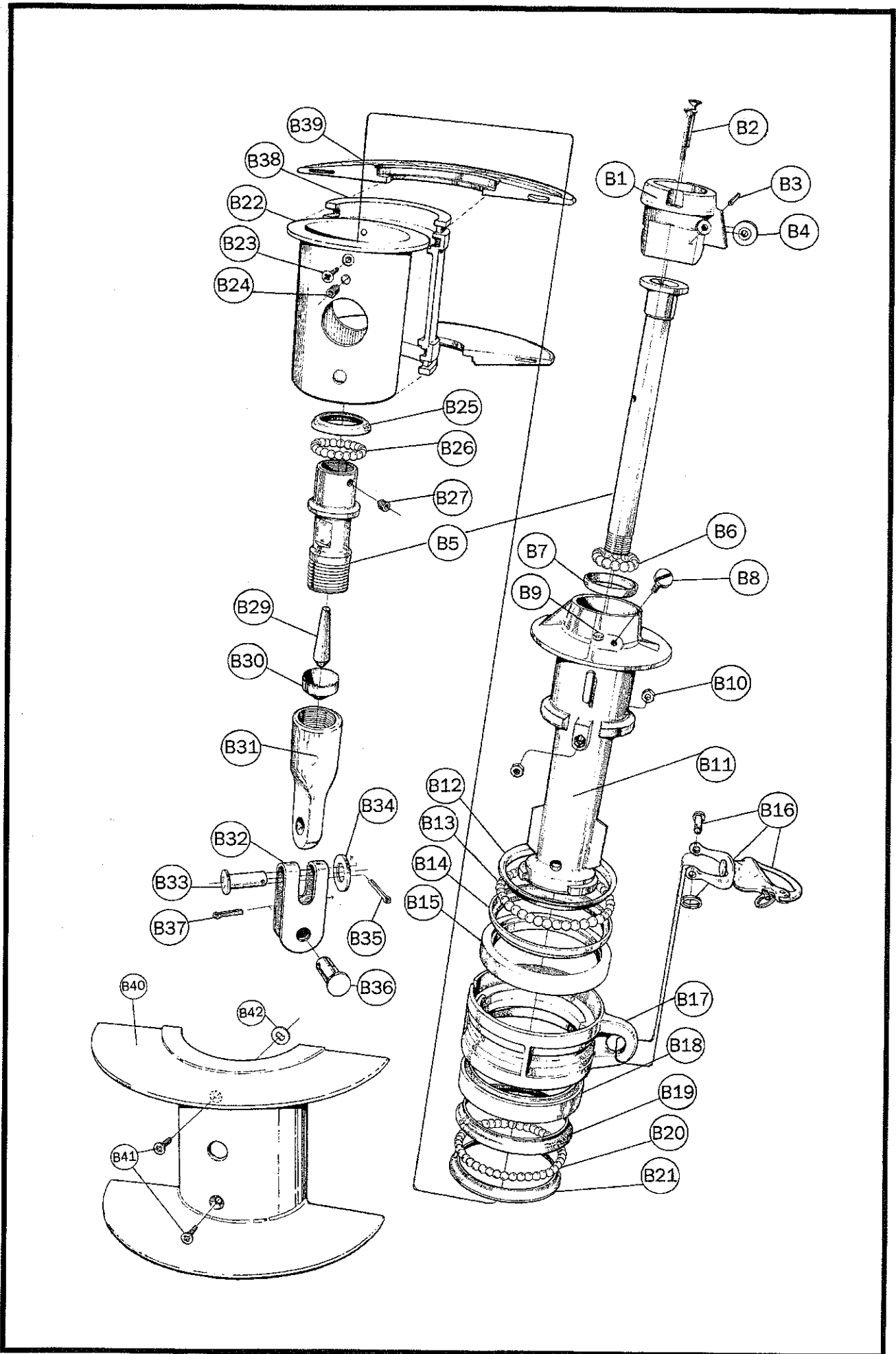


Continued from page 4

| Item | Description | Type C | | | | Type D | | | |
|------|-------------------------------|-----------------|-----|--------------------|---------------|----------------|-----|--------------------|---------------|
| | | Dimension | Qty | Forestay wire size | | Dimension | Qty | Forestay wire size | |
| | | | | ø8mm | ø10 mm | | | ø12 mm | ø14 mm |
| B32 | Toggle — fork/fork | Part no marked | 1 | 517-048 3) 4) | 517-051 3) 4) | Part no marked | 1 | 517-052 3) 4) | 517-053 3) 4) |
| B33 | Clevis pin | ø14 × 47 | 1 | 165-503 4) | — | ø19 × 58 | 1 | 165-582 4) | — |
| B33 | Clevis pin | ø14 × 47 | 1 | — | 165-503 4) | ø22 × 60 | 1 | — | 165-595 4) |
| B34 | Washer | ø24 × ø14.2 × 2 | 2 | 164-420 4) | 164-420 4) | ø36 × ø20 × 3 | 1 | 164-421 4) | — |
| B34 | Washer | — | — | — | — | ø40 × ø23 × 3 | 1 | — | 164-422 4) |
| B35 | Split pin | ø4 × 20 | 1 | 301-053 4) | 301-053 4) | ø5 × 28 | 1 | 301-054 4) | 301-054 4) |
| B36 | Clevis pin | ø14 × 31 | 1 | 165-501 3) 4) | — | ø19 × 40 | 1 | 165-581 3) 4) | — |
| B36 | Clevis pin | ø14 × 35 | 1 | — | 165-504 3) 4) | ø22 × 47 | 1 | — | 165-594 3) 4) |
| B37 | Split pin | ø4 × 20 | 1 | 301-053 3) 4) | 301-053 3) 4) | ø5 × 28 | 1 | 301-054 3) 4) | 301-054 3) 4) |
| 1) | Only as a package B1-B4 | | 1 | 539-206-01 | 539-206-01 | | 1 | 539-107-01 | 539-107-01 |
| 2) | Only as a package B5, B27-B31 | | 1 | 301-172-01 | 301-173-01 | | 1 | 301-160-01 | 301-161-01 |
| 3) | B32, B36, B37 also as a pack | | 1 | 517-048-01 | 517-051-01 | | 1 | 517-052-01 | 517-053-01 |
| 4) | B32-B37 also as a pack | | 1 | 517-048-02 | 517-051-02 | | 1 | 517-052-02 | 517-053-02 |

| | | Assembly number → | | 539-221-01 | 539-221-01 | | | | |
|-----|---------------------------|-------------------|---|------------|------------|---|---|---|---|
| B38 | Line drum hub — half | ø94 × 130 | 1 | 539-221 1) | 539-221 1) | — | — | — | — |
| B39 | Line drum flange — half | ø210 × 14 | 2 | 539-222 1) | 539-222 1) | — | — | — | — |
| — | Label flange | 80 × 40 | 1 | 591-272 | 591-272 | — | — | — | — |
| — | Label flange | 42 × 16 | 1 | 591-238 | 591-238 | — | — | — | — |
| 1) | Only as a package B38-B39 | | 1 | 539-221-01 | 539-221-01 | — | — | — | — |

| | | | | | | Assembly number → | | 539-108-01 | 539-108-01 |
|-----|----------------|---|---|---|---|-------------------|---|------------|------------|
| B40 | Line drum half | — | — | — | — | ø250 × 148 | 1 | 539-108 | 539-108 |
| B41 | Screw | — | — | — | — | MFX 8 × 16 | 2 | 162-033 | 162-033 |
| B42 | Washer | — | — | — | — | ø15 × ø8 × 2 | 2 | 164-031 | 164-031 |



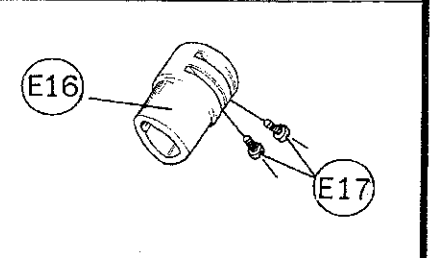
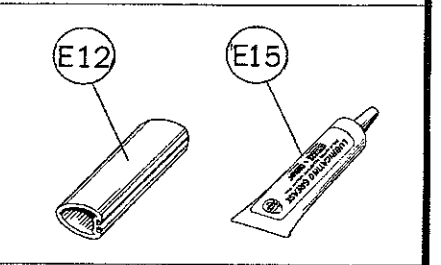
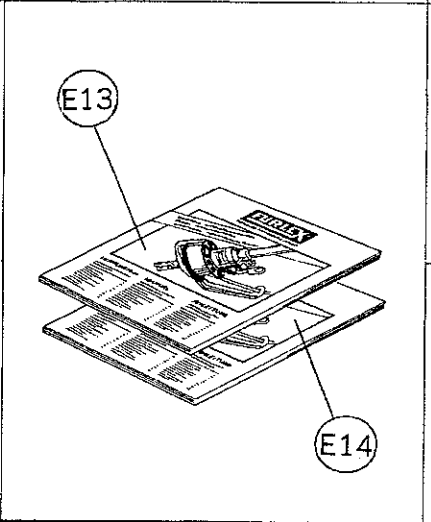
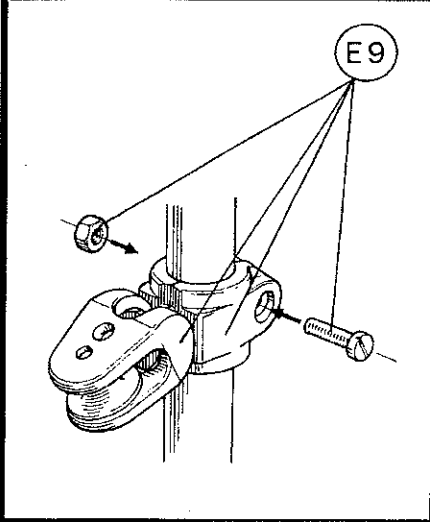
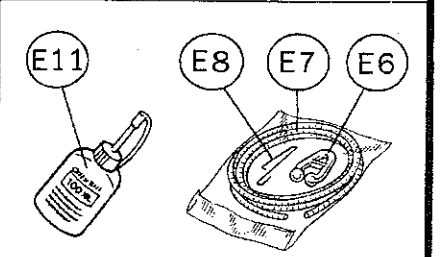
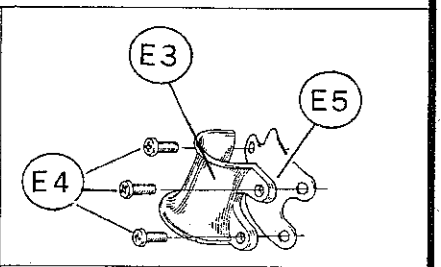
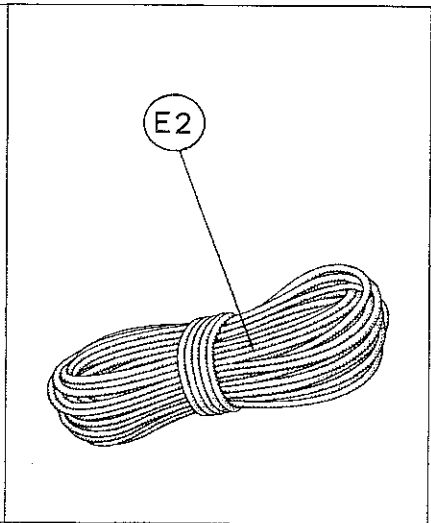
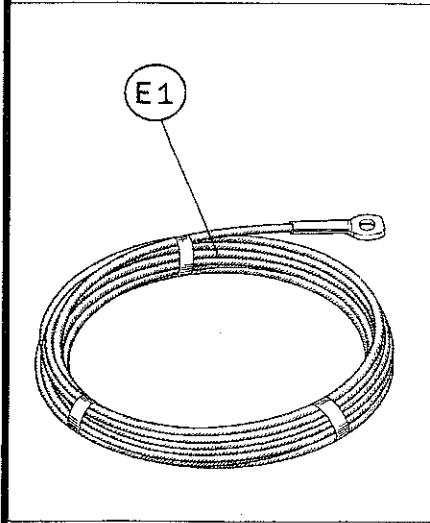
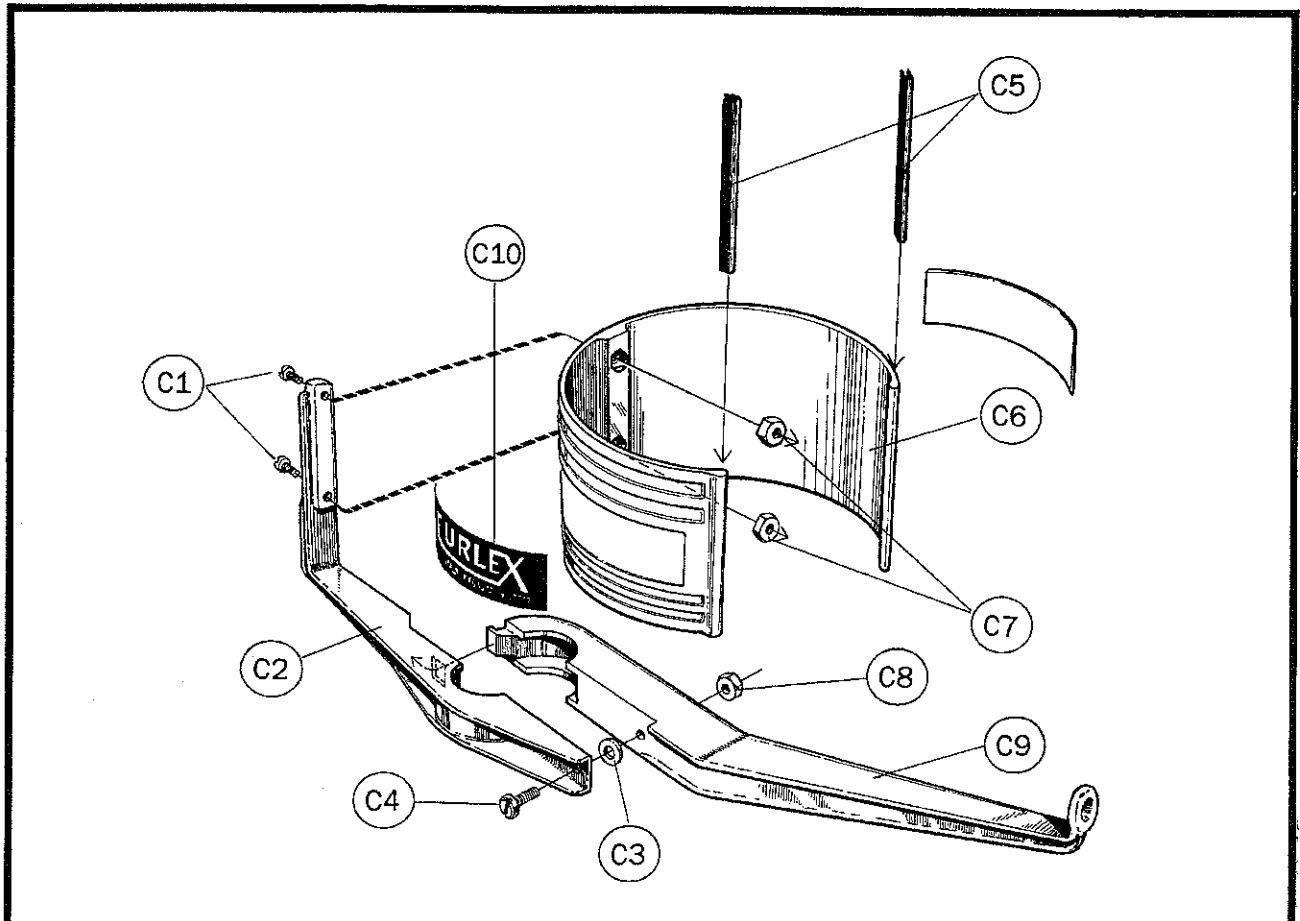
DESCRIPTION C

LINE GUARD FITTING

| Item | Description | Type C | | | | Type D | | | |
|------|----------------------------------|--------------------------|-------------------|--------------------|--------------------------|-------------------|-------------------|--------------------|------------|
| | | Dimension | Qty | Forestay wire size | | Dimension | Qty | Forestay wire size | |
| | | | | ø8mm | ø10 mm | | | ø12 mm | ø14 mm |
| | | Assembly number → | 539-215-01 | 539-216-01 | Assembly number → | 539-117-01 | 539-118-01 | | |
| C 1 | Screw | MRX 6 × 14 | 2 | 155-623 | 155-623 | MRX 6 × 16 | 4 | 155-610 | 155-610 |
| C 2 | Line guard bracket | Part no marked | 1 | 539-215 | 539-216 | Part no marked | 1 | 539-117 | 539-118 |
| C 3 | Anti-loss washer | ø16 × ø8 × 2 | 1 | 164-032 | 164-032 | ø16 × ø8 × 2 | 1 | 164-032 | 164-032 |
| C 4 | Screw | M8 × 25 | 1 | 153-052 | 153-052 | M8 × 25 | 1 | 153-052 | 153-052 |
| C 5 | Line guard saver | 8 × 96 | 2 | 539-225 1) | 539-225 1) | 8 × 126 | 2 | 539-120 1) | 539-120 1) |
| C 6 | Line guard | ø160 × 97 | 1 | 539-224 1) | 539-224 1) | ø178 × 127 | 1 | 539-119 1) | 539-119 1) |
| C 7 | Locking nut | M 6 | 2 | 158-005 | 158-005 | M 6 | 4 | 158-005 | 158-005 |
| C10 | Label line guard | 34 × 117 | 2 | 591-240 | 591-240 | 39 × 132 | | 591-241 | 591-241 |
| | | Assembly number → | 539-213-01 | 539-214-01 | Assembly number → | 539-114-01 | 539-115-01 | | |
| C 8 | Locking nut | M 8 | 1 | 158-006 | 158-006 | M 8 | 1 | 158-006 | 158-006 |
| C 9 | Line guide arm | Part no marked | 1 | 539-213 2) | 539-214 2) | Part no marked | 1 | 539-114 2) | 539-115 2) |
| 1) | Only as a package C1, C5-C7, C10 | | 1 | 539-224-01 | 539-224-01 | | 1 | 539-119-01 | 539-119-01 |
| 2) | Only as a package C8-C9 | | 1 | 539-213-01 | 539-214-01 | | 1 | 539-114-01 | 539-115-01 |

DESCRIPTION E

| Item | Description | Type C | | | | Type D | | | |
|------|---------------------------|--------------------------|-------------------|--------------------|--------------------------|-------------------|-------------------|--------------------|-------------|
| | | Dimension | Qty | Forestay wire size | | Dimension | Qty | Forestay wire size | |
| | | | | ø8mm | ø10 mm | | | ø12 mm | ø14 mm |
| E 1 | Forestay wire pack | L = 15500 | 1 | 601-006-25 | — | L = 20400 | 1 | 601-009-11 | 601-010-10 |
| E 1 | Forestay wire pack | L = 17900 | 1 | 601-006-24 | 601-008-20 | L = 22800 | 1 | 601-009-12 | 601-010-11 |
| E 1 | Forestay wire pack | L = 20300 | 1 | — | 601-008-21 | — | — | — | — |
| E 2 | Furling line | ø10, L = 28000 | 1 | 611-022-01 | 611-022-01 | ø12, L = 40000 | 1 | 611-023-01 | 611-023-01 |
| | Halyard lead set | Assembly number → | 508-128-03 | 508-128-03 | Assembly number → | 508-128-03 | 508-128-03 | | |
| E 3 | Halyard lead | 57-ø20 | 1 | 508-128 5) | 508-128 5) | Large | 1 | 508-128 5) | 508-128 5) |
| E 4 | Selftapping screw | MRX-TT 6 × 12 | 3 | 155-703 5) | 155-703 5) | MRX-TT 6 × 12 | 3 | 155-703 5) | 155-703 5) |
| E 5 | Insulator | 60 × 54 | 1 | 530-627 5) | 530-627 5) | 60 × 54 | 1 | 530-627 5) | 530-627 5) |
| | Prefeeder package | Assembly number → | 505-517-03 | 505-517-03 | Assembly number → | 505-517-02 | 505-517-02 | | |
| E 6 | Prefeeder | 46 × 22 | 1 | 505-517 3) | 505-517 3) | 46 × 22 | 1 | 505-517 3) | 505-517 3) |
| E 7 | Rubber cord | ø6, L = 1200 | 1 | 61401003 3) | 61401003 3) | ø8, L = 1200 | 1 | 61401102 3) | 61401102 3) |
| E 8 | Hook for rubber cord | ø1,2 × 50 | 1 | 539-047 3) | 539-047 3) | ø1,5 × 53 | 1 | 539-130 3) | 539-130 3) |
| E 9 | Stanchion block | For ø25 mm | 1 | 538-971-01 | 538-971-01 | — | — | — | — |
| E 9 | Stanchion block, 4-pack | For ø25 mm | 1 | 538-971-02 | 538-971-02 | — | — | — | — |
| | Stanchion block | — | — | — | — | For ø25 mm | 1 | 538-961 | 538-961 |
| E11 | Locking adhesive | 10 g | 1 | 312-305 | 312-305 | 10 g | 1 | 312-305 | 312-305 |
| E12 | Luff extrusion sample | Type C, L = 140 | 1 | 539-211 | 539-211 | Type D, L = 140 | 1 | 539-126 | 539-126 |
| E13 | Manual (English text) | A4 | 1 | 595-019-E | 595-019-E | A4 | 1 | 595-019-E | 595-019-E |
| E13 | Manual (Swedish text) | A4 | 1 | 595-019-S | 595-019-S | A4 | 1 | 595-019-S | 595-019-S |
| E13 | Manual (German text) | A4 | 1 | 595-019-T | 595-019-T | A4 | 1 | 595-019-T | 595-019-T |
| E14 | Spare parts list | A4 | 1 | 595-046-E | 595-046-E | A4 | 1 | 595-046-E | 595-046-E |
| E15 | Lubricating grease | 100 g | 1 | 312-501 | 312-501 | 100 g | 1 | 312-501 | 312-501 |
| | | Assembly number → | 539-226-01 | 539-226-01 | Assembly number → | 539-132-01 | 539-132-01 | | |
| E16 | Top guard | ø52 × 70 | 1 | 539-226 4) | 539-226 4) | ø65 × 80 | 1 | 539-132 4) | 539-132 4) |
| E17 | Screw | RXS Z 4,8 × 9,5 | 2 | 171-019 | 171-019 | CSS B 4,8 × 13 | 4 | 171-007 | 171-007 |
| 3) | Only as a package E6-E8 | | 1 | 505-515-03 | 505-515-03 | | 1 | 505-515-01 | 505-515-01 |
| 4) | Only as a package E16-E17 | | 1 | 539-226-01 | 539-226-01 | | 1 | 539-132-01 | 539-132-01 |
| 5) | Only as a package E3-E5 | | 1 | 508-128-03 | 508-128-03 | | 1 | 508-128-03 | 508-128-03 |



DESCRIPTION D

LUFF EXTRUSION 1000 MM

| Item | Description | Type C | | | | Type D | | | |
|------|----------------|--------------------------|-------------------|--------------------|--------------------------|-------------------|-------------------|--------------------|---------|
| | | Dimension | Qty | Forestay wire size | | Dimension | Qty | Forestay wire size | |
| | | | | ø8mm | ø10 mm | | | ø12 mm | ø14 mm |
| | | Assembly number → | 539-210-01 | 539-210-01 | Assembly number → | 539-138-01 | 539-138-01 | | |
| D 5 | Distance tube | ø22 × ø11 × 750 | 1 | 535-627 | 535-627 | — | — | — | — |
| D 6 | Luff extrusion | 40/27, L = 1000 | 1 | 539-210 | 539-210 | 50/34, L = 1000 | 1 | 539-138 | 539-138 |
| D 7 | Joint sleeve | 26/23, L = 250 | 1 | 539-212 | 539-212 | 34/29, L = 1290 | 1 | 539-135 | 539-135 |

| | | | | | | | | | |
|-----|--------------------------|----------------|---|---------------|---------------|----------------|---|---------------|---------------|
| D 1 | Sail feeder | Part no marked | 1 | 505-510 1) 2) | 505-510 1) 2) | Part no marked | 1 | 505-512 1) 2) | 505-512 1) 2) |
| D 2 | Sail feeder connector | Part no marked | 1 | 505-511 2) | 505-511 2) | Part no marked | 1 | 505-513 2) | 505-513 2) |
| D 3 | Screw | MCS 4 × 6 | 2 | 155-029 2) | 155-029 2) | MCS-4 × 6 | 2 | 155-029 2) | 155-029 2) |
| D 4 | Insert thread | M 4 × 6 | 2 | 170-101 1) 2) | 170-101 1) 2) | M 4 × 6 | 2 | 170-101 1) 2) | 170-101 1) 2) |
| D 8 | Connection spring | ø4 × 64 | 1 | 308-019 | 308-019 | ø6 × 66 | 1 | 308-024 | 308-024 |
| D 9 | Connection spring | ø4 × 139 | 1 | 308-020 | 308-020 | ø6 × 141 | 1 | 308-025 | 308-025 |
| 1) | Only as a package D1, D4 | | 1 | 505-510-02 | 505-510-02 | | 1 | 505-512-02 | 505-512-02 |
| 2) | D1-D4 also as a package | | 1 | 505-510-01 | 505-510-01 | | 1 | 505-512-01 | 505-512-01 |

LUFF EXTRUSION 2000 MM

| | | Assembly number → | 539-209-01 | 539-209-01 | Assembly number → | 539-137-01 | 539-137-01 | | |
|-----|----------------|--------------------------|-------------------|-------------------|--------------------------|-------------------|-------------------|---------|---------|
| D13 | Joint sleeve | 26/23, L = 250 | 1 | 539-212 | 539-212 | 34/29, L = 300 | 1 | 539-134 | 539-134 |
| D14 | Distance tube | ø22 × ø11 × 1750 | 1 | 535-628 | 535-628 | ø28 × ø15 × 1700 | 1 | 535-631 | 535-631 |
| D15 | Luff extrusion | 40/27, L = 2000 | 1 | 539-209 | 539-209 | 50/34, L = 2000 | 1 | 539-137 | 539-137 |

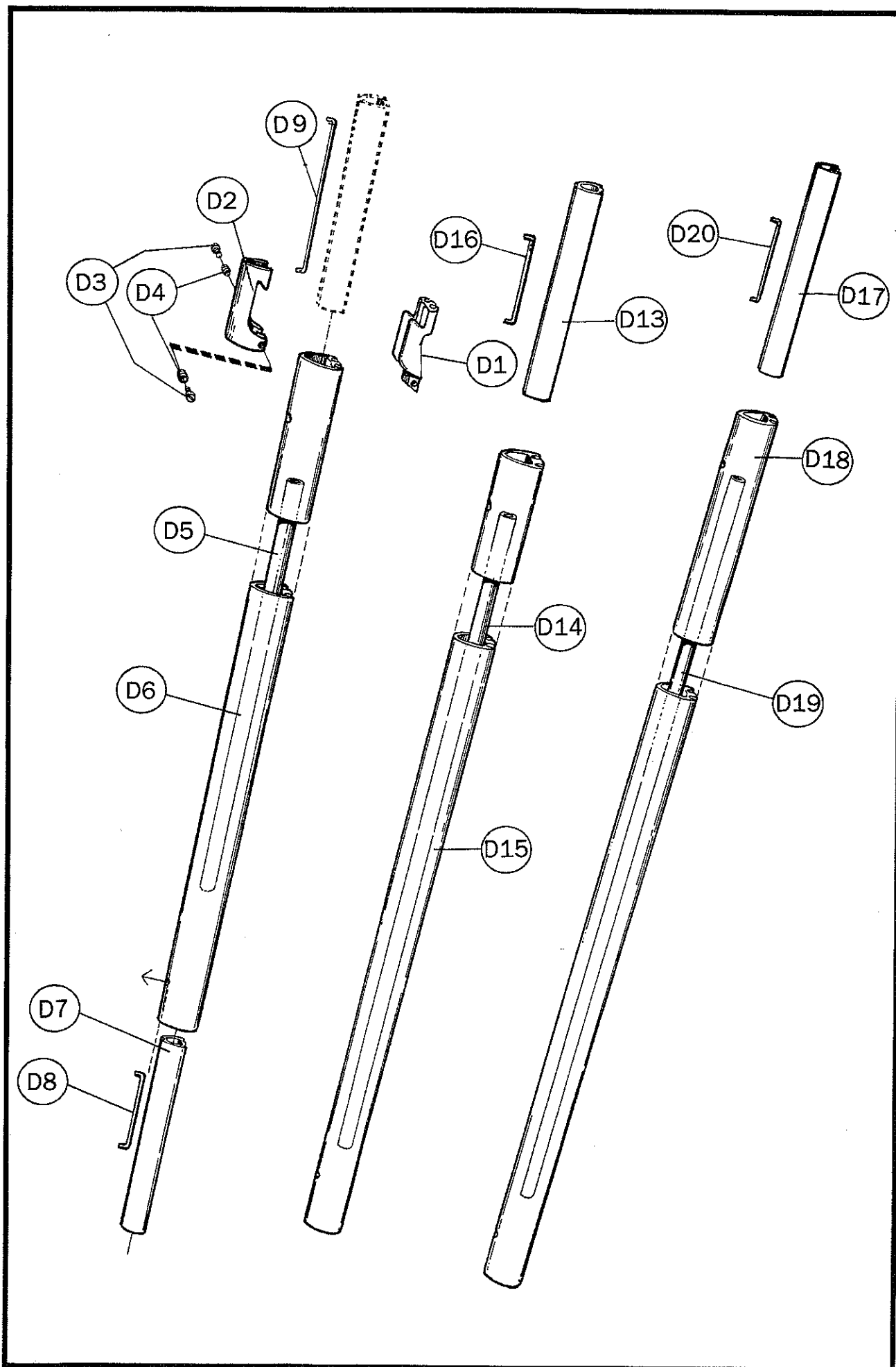
| | | | | | | | | | |
|-----|-------------------|---------|---|---------|---------|---------|---|---------|---------|
| D16 | Connection spring | ø4 × 64 | 1 | 308-019 | 308-019 | ø6 × 66 | 1 | 308-024 | 308-024 |
|-----|-------------------|---------|---|---------|---------|---------|---|---------|---------|

LUFF EXTRUSION 2400 MM

| | | Assembly number → | 539-208-01 | 539-208-01 | Assembly Number → | 539-136-01 | 539-136-01 | | |
|-----|----------------|--------------------------|-------------------|-------------------|--------------------------|-------------------|-------------------|------------|------------|
| D17 | Joint sleeve | 26/23, L = 250 | 1 | 539-212 3) | 539-212 3) | 34/29, = 300 | 1 | 539-134 3) | 539-134 3) |
| D18 | Luff extrusion | 40/27, L = 2400 | 1 | 539-208 3) | 539-208 3) | 50/34, L = 2400 | 1 | 539-136 3) | 539-136 3) |
| D19 | Distance tube | ø22 × ø11 × 2150 | 1 | 535-629 3) | 535-629 3) | ø28 × ø15 × 2100 | 1 | 535-632 3) | 535-632 3) |

| | | | | | | | | | |
|-----|-------------------|---------|---|------------|------------|---------|---|------------|------------|
| D20 | Connection spring | ø4 × 64 | 1 | 308-019 3) | 308-019 3) | ø6 × 66 | 1 | 308-024 3) | 308-024 3) |
|-----|-------------------|---------|---|------------|------------|---------|---|------------|------------|

| | | | | | | | | | |
|----|---------------------------|--|---|------------|------------|--|---|------------|------------|
| 3) | D17-D20 also as a package | | 1 | 539-208-05 | 539-208-05 | | 1 | 539-136-05 | 539-136-05 |
|----|---------------------------|--|---|------------|------------|--|---|------------|------------|



Bäste Furlex-ägare

Furlex säljs genom ett nät av auktoriserade återförsäljare som täcker alla marina marknader runt om i världen.

Auktorisationen omfattar praktisk och teoretisk utbildning i hur Furlex-systemet är uppbyggt. Denna kunskap innebär professionell service till Dig som Furlex-ägare.

Vi önskar dig mycket skön segling och hoppas att denna reservdels- och återförsäljarlista kan vara till nytta om du någon gång behöver kontakta en återförsäljare för professionella råd eller assistans.

Dear Furlex-owner

Furlex is supplied via an extensive network of authorized dealers who cover the major sailing areas of the world.

The authorization ensures that each dealer is fully versed in the design, assembly and operation of Furlex - and is a guarantee of professional service. We wish you much enjoyable and carefree sailing and hope that this spare parts- and dealerlist will be of help if you ever require professional advice or assistance.

Lieber Furlex-Eigner

Furlex wird über ein Netz autorisierter Fachhändler weltweit in allen Segelregionen verkauft.

Die Autorisierung dieser Fachhändler erfolgt durch eine theoretische und praktische Schulung im Aufbau des Furlex-Systems.

Dieses Können gewährleistet Ihnen als Furlex-Besitzer professionellen Service.

Wir wünschen Ihnen ein angenehmes Segeln und hoffen, daß Ihnen dieses Ersatzteil- und Fachhändlerverzeichnis hilft bei eventuellem Bedarf eines Rates oder professioneller Hilfe.



OBS!

Plocka ej isär fallsvirveln eller nedre lagringsdelen. Det kan vara svårt att återmontera dessa delar på ett korrekt sätt. Bland annat ligger lagerbanornas kulor löst monterade. Vid behov av service, kontakta din Furlex-återförsäljare.



NOTE!

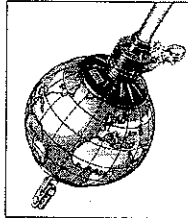
Do not dismantle the halyard swivel or lower bearing assembly. You will find it difficult to re-assemble them correctly (the ball-bearings are loose and difficult to refit!). Contact your Furlex dealer if service is required.



ACHTUNG!

Nehmen Sie den Fallschlitten oder die untere Lagerung nicht auseinander. Es ist schwer diese wieder korrekt zu montieren. Unter anderem liegen die Kugeln lose montiert. Wenden Sie sich bei Bedarf an Ihren Furlex-Händler.

Fast access to our know-how, worldwide



The Seldén Group is one of the world's leading manufacturers of spar and rigging systems. Our comprehensive range caters for dinghies, performance dayboats and yachts up to 30 tonnes. The group consists of Seldén Mast AB and YRAB, both in Sweden, Seldén Mast Ltd in the UK and Seldén Mast Inc in the USA. Our well known product names are Seldén, Furlex, Furlin', Furlex Main, Proctor and Hasselfors.

At Seldén we are sailors. Our extensive sailing experience, combined with practical engineering knowledge, is at the heart of our business. It guarantees care, attention to detail and a total commitment to quality.

With development and production facilities on Sweden's west coast, England's south coast and the east coast of the USA, we have unique opportunities to test and develop our products under tough, practical, sea-going conditions. All manufacturing is carried out in accordance with strict quality control routines.

Our quality philosophy does not stop at the production line, but is extended to our authorized distribution and service network through a complete programme of training courses, instruction manuals and films. Everything, in fact, to ensure customer satisfaction.



J.S. Elcano, 6, 03730 JAVEA (Alicante)
Tel. 96 646 12 11 · Fax: 96 646 12 13
www.blaumar.com



SELDÉN

*Seldén Mast AB, Sweden, Tel +46 (0)31 69 69 00, Fax +46 (0)31 29 71 37, e-mail info@seldenmast.com
Seldén Mast Limited, UK, Tel +44 (0)1489 48 40 00, Fax +44 (0)1489 48 74 87, e-mail selden.ltd@dial.pipex.com
Seldén Mast Inc. USA, Tel +1 843-760-6278, Fax +1 843-760-1220, e-mail SeldenUS@quik.com
Internet www.seldenmast.com*