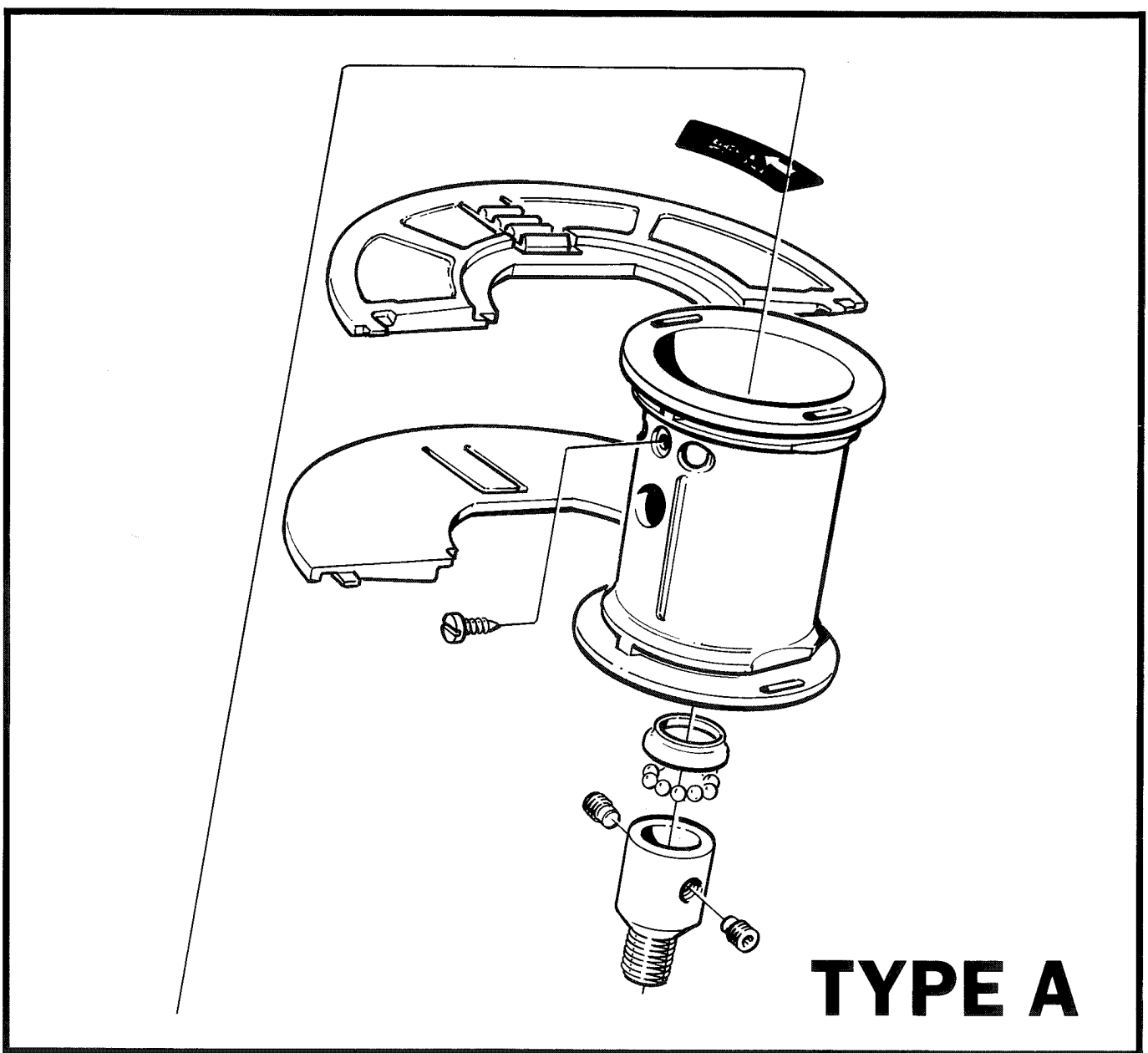




APRIL -96/595-057-E  
SPARE PARTS A

JIB FURLING & REEFING SYSTEM  
a Seldén Mast product.

# SPARE PARTS LIST



**TYPE A**

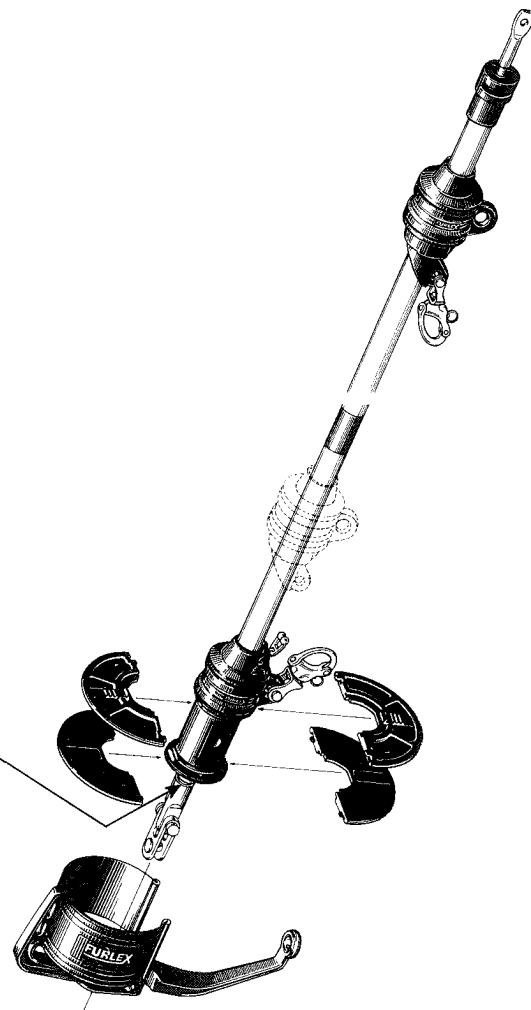
# WORLDWIDE DEALER LIST

# DESCRIPTION A

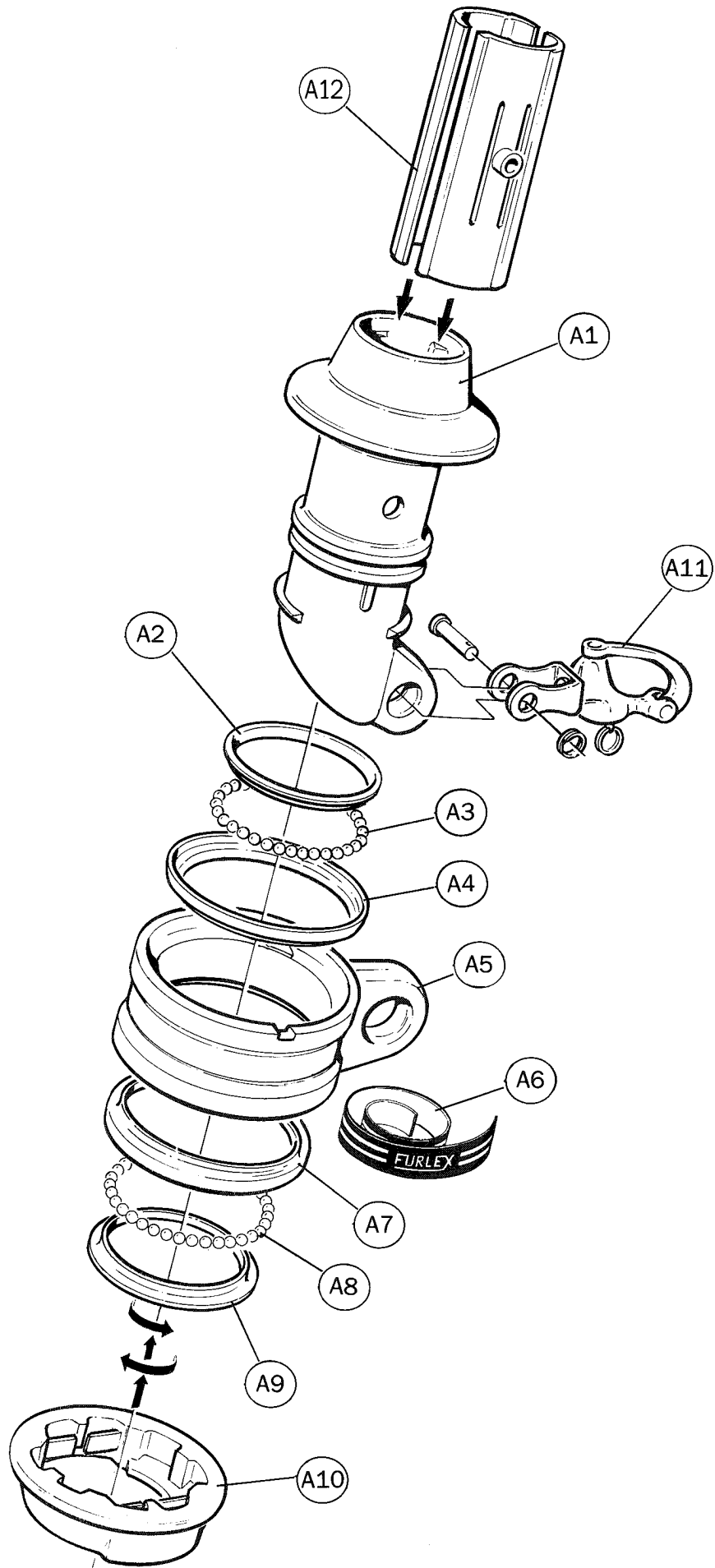
# HALYARD SWIVEL

Item	Description	Dimension	Qty.	Forestay wire size		
				ø4 mm	ø5 mm	ø6 mm
		<b>Assembly number →</b>		<b>539-301-01</b>	<b>539-301-01</b>	<b>539-323-01</b>
A 1	Hub — Halyard swivel	ø70 × 130	1	539-301-02	539-301-02	539-323
A 2	Ball bearing ring — inner	ø57 × 7	1	539-309	539-309	539-309
A 3	Balls	ø6	27	539-034	539-034	539-034
A 4	Ball bearing ring — outer	ø62 × 11	1	539-310	539-310	539-310
A 5	Eye ring	ø72 × 35	1	539-322 1)	539-322 1)	539-322 1)
A 6	Label — Eye ring	10 × 190	1	591-236	591-236	591-236
A 7	Ball bearing ring — outer	ø62 × 11	1	539-310	539-310	539-310
A 8	Balls	ø6	27	539-034	539-034	539-034
A 9	Ball bearing ring — inner	ø57 × 7	1	539-309	539-309	539-309
A10	Flange collar	ø70 × 20	1	539-302	539-302	539-302
A11	Snap shackle	70mm	1	307-337	307-337	307-337
A12	Sliding sleeve half	30 × 90	2	—	—	539-321
1)	Only as a package A5-A6		1	539-303-01	539-303-01	539-322-01

Forestay wire size is marked at the ball bearing socket (Item B 21)



Seldén Mast AB reserves the right to alter the design or specification without prior warning, to allow unrestricted future product development.



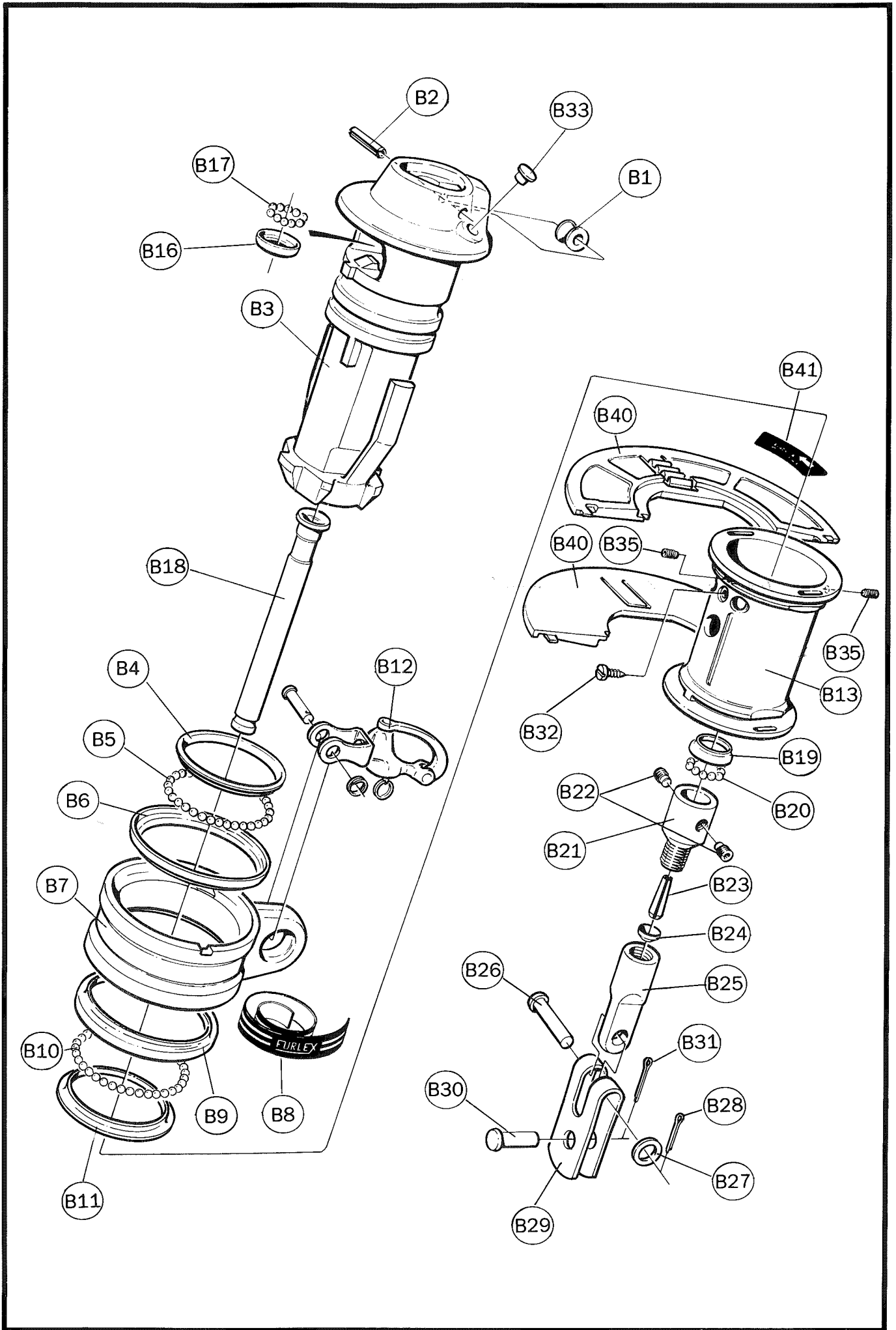
# DESCRIPTION B

# LOWER SWIVEL

Item	Description	Dimension	Qty.	Forestay wire size		
				ø4 mm	ø5 mm	ø6 mm
		<b>Assembly number →</b>		<b>539-304-01</b>	<b>539-304-02</b>	<b>539-304-03</b>
B 1	Sheave	ø14×ø6×10	1	504-344	504-344	504-344
B 2	Spring pin	ø5×20	1	166-513	166-513	166-513
B 3	Inner hub—lower swivel	ø70×149	1	539-304 1)	539-304 1)	539-304 1)
B 4	Ball bearing ring—inner	ø57×7	1	539-309	539-309	539-309
B 5	Balls	ø6	27	539-034	539-034	539-034
B 6	Ball bearing ring—outer	ø62×11	1	539-310	539-310	539-310
B 7	Eye ring	ø72×35	1	539-303 2)	539-303 2)	539-322 2)
B 8	Label—Eye ring	10×190	1	591-236	591-236	591-236
B 9	Ball bearing ring—outer	ø62×11	1	539-310	539-310	539-310
B10	Balls	ø6	27	539-034	539-034	539-034
B11	Ball bearing ring—inner	ø57×7	1	539-309	539-309	539-309
B12	Snap shackle	70mm	1	307-337	307-337	307-337
B13	Outer hub	ø70×80	1	539-305 3)	539-305 3)	539-305 3)
B16	Ball bearing ring—outer	ø30×10	1	539-311	539-311	539-311
B17	Balls	ø6	10	539-034	539-034	539-034
B18	Ball bearing tube	ø19/13-125	1	539-307 5)	539-307 5)	539-307 5)
B19	Ball bearing ring—outer	ø30×10	1	539-311	539-311	539-311
B20	Balls	ø6	10	539-034	539-034	539-034
B21	Ball bearing socket	Wire ø marked	1	301-188 5)	301-189 5)	301-190 5)
B22	Grub screw	M6/4.8×8	2	153-103 5)	153-103 5)	153-103 5)
B23	Wedge	L=20	1	301-150	—	—
B23	Wedge	L=24	1	—	301-151	—
B23	Wedge	L=33	1	—	—	301-152
B24	Former	ø9.1	1	301-191	—	—
B24	Former	ø10.6	1	—	301-175	—
B24	Former	ø13.4	1	—	—	301-157
B25	Terminal eye fitting	ø14×45	1	301-192 5) *)	—	—
B25	Terminal eye fitting	ø17×51	1	—	301-176 5) *)	—
B25	Terminal eye fitting	ø22×66	1	—	—	301-166 5) *)

\*) Alt. Use a standard STALOK eye.

To be continued on page 6.



Item	Description	Dimension	Qty.	Forestay wire size		
				ø4 mm	ø5 mm	ø6 mm
B26	Clevis pin	ø8×27	1	165-113 7)	—	—
B26	Clevis pin	ø10×35	1	—	165-221 7)	—
B26	Clevis pin	ø12×36	1	—	—	165-409 7)
B27	Washer	ø16×ø8×1.5	1	164-401 7)	—	—
B27	Washer	ø18×ø10×2	1	—	164-402 7)	—
B27	Washer	ø24×ø13×2.5	1	—	—	164-404 7)
B28	Split pin	ø2.5×12	1	301-047	—	—
B28	Split pin	ø2.5×15	1	—	301-048	—
B28	Split pin	ø3×18	1	—	—	301-050
B29	Toggle fork-fork	Part No marked	1	517-056 6) 7)	517-054 6) 7)	517-046 6) 7)
B30	Clevis pin	ø8×18	1	165-101 6) 7)	—	—
B30	Clevis pin	ø10×22	1	—	165-202 6) 7)	165-202 6) 7)
B31	Split pin	ø2.5×12	1	301-047 6) 7)	—	—
B31	Split pin	ø2.5×16	1	—	301-048 6) 7)	301-048 6) 7)
B32	Screw <i>H R X S Z</i>	<del>ØSS 4.8</del> ×9.5	1	171-019	171-019	171-019
B33	Screw	M6×10	1	319-573	319-573	319-573
B35	Screw	MSK 6SS 5X16	2	153-106	153-106	153-106
B40	Flange half	ø150×8	4	539-308 4)	539-308 4)	539-308 4)
B41	Label — Flange		2	591-238	591-238	591-238
1)	Only as a package B1-B3, B33		1	539-304-05	539-304-05	539-304-05
2)	Only as a package B7-B8		1	539-303-01	539-303-01	539-322-01
3)	Only as a package B13, B32, B35		1	539-305-01	539-305-01	539-305-01
4)	Only as a package B14-B15		1	539-308-01	539-308-01	539-308-01
5)	Only as a package B18, B21-B25		1	301-188-02	301-189-02	301-190-02
6)	B29-B31 also as a package		1	517-056-01	517-054-01	517-046-01
7)	B26-B31 also as a package		1	517-056-02	517-054-02	517-046-02



## DESCRIPTION C

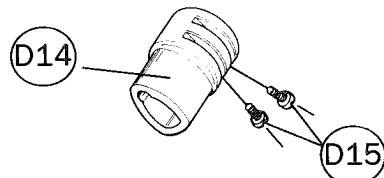
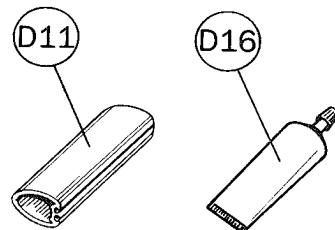
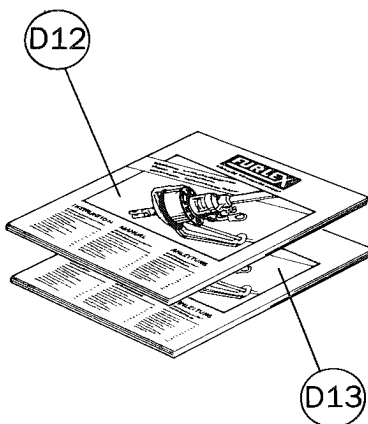
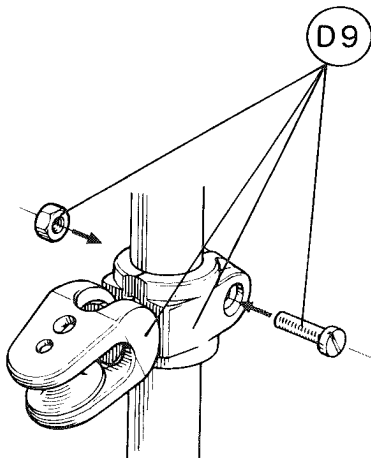
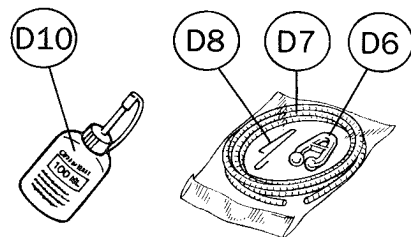
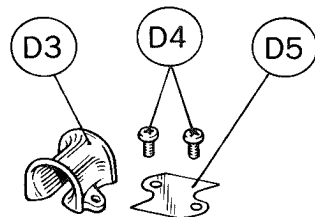
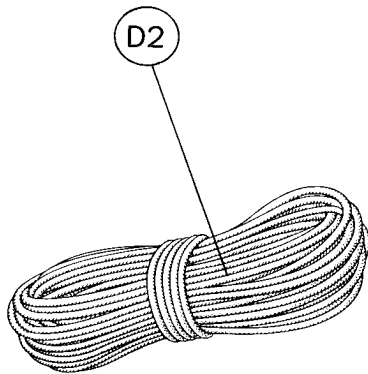
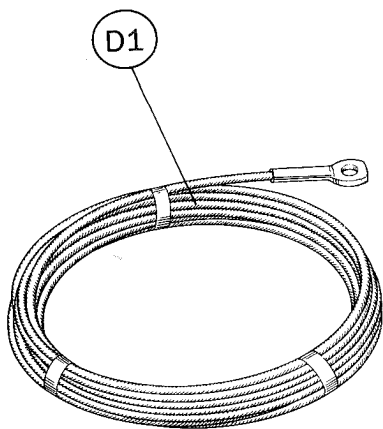
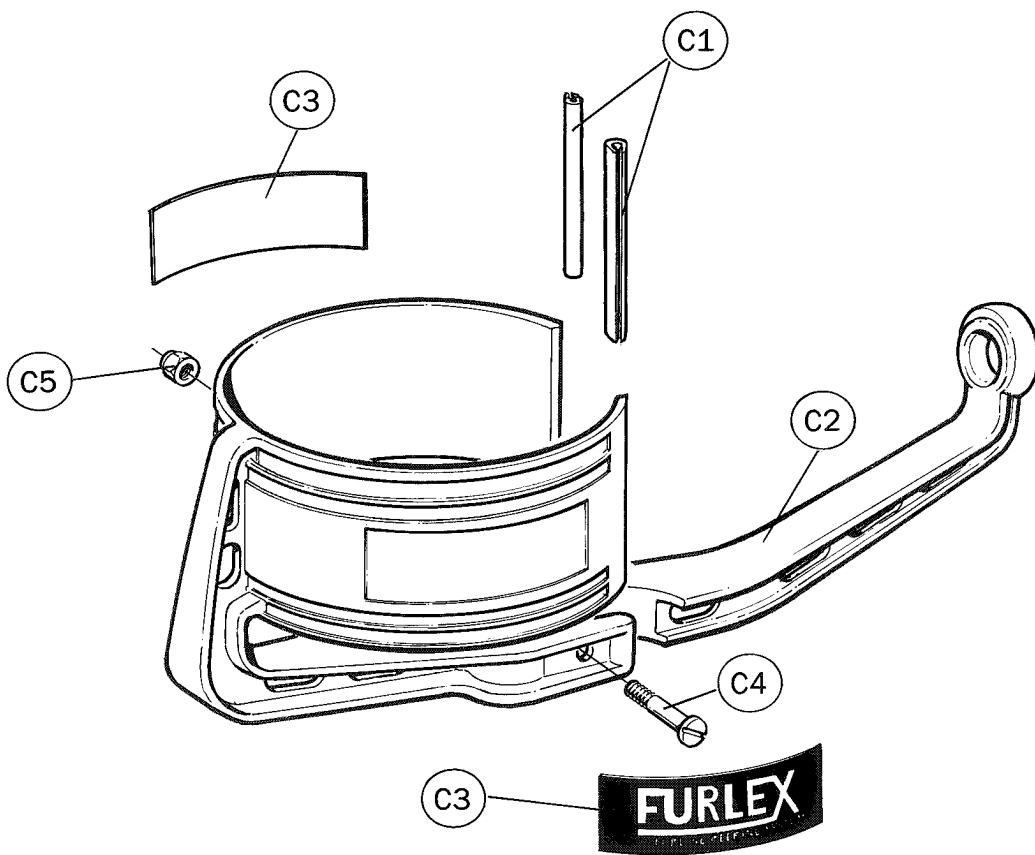
## LINE GUARD FITTING

Item	Description	Dimension	Qty.	Forestay wire size		
				ø4 mm	ø5 mm	ø6 mm
		<b>Assembly number →</b>		<b>539-306-01</b>	<b>539-306-01</b>	<b>539-306-01</b>
C 1	Line guard saver	ø8×59	2	539-319 1)	539-319 1)	539-319 1)
C 2	Line guard fitting	ø102×245	1	539-306 1)	539-306 1)	539-306 1)
C 3	Label—line guard	23×68	2	591-237	591-237	591-237
C 4	Screw	M6×35	1	153-053	153-053	153-053
C 5	Locking nut	M6	1	158-005	158-005	158-005
1)	Only as a package C1-C5		1	539-306-01	539-306-01	539-306-01

## DESCRIPTION D

Item	Description	Dimension	Qty.	Forestay wire size		
				ø4 mm	ø5 mm	ø6 mm
D 1	Forestay wire	L=10 500	1	601-002-30	601-003-31	—
D 1	Forestay	L=12 900	1	—	601-003-32	—
D 1	Forestay	L=13 000	1	—	—	601-004-43*)
D 2	Furling line	ø8, L=20.000	1	611-021-04	611-021-04	611-021-04
	<b>Halyard lead set</b>	<b>Assembly number →</b>		<b>508-159-03</b>	<b>508-159-03</b>	<b>508-159-03</b>
D 3	Halyard lead	ø14-35	1	508-159 4)	508-159 4)	508-159 4)
D 4	Selftapping screw	MRX-TT 6×12	2	155-703 4)	155-703 4)	155-703 4)
D 5	Insulator	35×41	1	530-632 4)	530-632 4)	530-632 4)
	<b>Prefeeder package</b>	<b>Assembly number →</b>		<b>505-515-03</b>	<b>505-515-03</b>	<b>505-515-03</b>
D 6	Prefeeder	ø12×44	1	505-515 2)	505-515 2)	505-515 2)
D 7	Rubber cord	ø6, L=1200	1	614-010-03 2)	614-010-03 2)	614-010-03 2)
D 8	Hook for rubber cord	ø1,2×53	1	539-047 2)	539-047 2)	539-047 2)
D 9	Stanchion block	For ø25 mm	1	538-971-01	538-971-01	538-971-01
D 9	Stanchion block (4-pack)	For ø25 mm	4	538-971-02	538-971-02	538-971-02
D10	Locking adhesive		1	312-305	312-305	312-305
D11	Luff extrusion sample	Type A, L=100	1	539-317 / 591-231	539-317 / 591-231	539-317 / 591-231
D12	Manual (english text)	A4	1	595-056-E	595-056-E	595-056-E
D12	Manual (swedish text)	A4	1	595-056-S	595-056-S	595-056-S
D12	Manual (german text)	A4	1	595-056-T	595-056-T	595-056-T
D13	Spare parts list	A4	1	595-057-E	595-057-E	595-057-E
D16	Lubricating grease	ca 100 gram	1	312-501	312-501	312-501
		<b>Assembly number →</b>		<b>539-313-01</b>	<b>539-313-01</b>	<b>539-313-01</b>
D14	Top guard	ø39×50	1	539-313 3)	539-313 3)	539-313 3)
D15	Screw <i>HRXS Z</i>	<del>CSS-B4</del> 8×9,5	2	171-019	171-019	171-019
2)	Only as a package D6-D8		1	505-515-03	505-515-03	505-515-03
3)	Only as a package D14-D15		1	539-313-01	539-313-01	539-313-01
4)	Only as a package D3-D5		1	508-159-03	508-159-03	508-159-03

\*) 601-004-26 can also be used.



## DESCRIPTION E

## LUFF EXTRUSION 1000 MM

Item	Description	Dimension	Qty.	Forestay wire size		
				ø4 mm	ø5 mm	ø6 mm
		<b>Assembly number →</b>		<b>539-316-01</b>	<b>539-316-01</b>	<b>539-316-01</b>
E 1	Luff extrusion	26/17, L=1000	1	539-316	539-316	539-316
E 2	Distance tube	ø12,3×ø6,9 ×768	1	535-647	535-647	535-647
E 3	Joint sleeve	14/14, L=200	1	539-318	539-318	539-318

## LUFF EXTRUSION 2000 MM

		<b>Assembly number →</b>		<b>539-315-01</b>	<b>539-315-01</b>	<b>539-315-01</b>
E 7	Luff extrusion	26/17, L=2000	1	539-315	539-315	539-315
E 8	Distance tube	ø12,3×ø6,9 ×1800	1	535-648	535-648	535-648
E 9	Joint sleeve	14/14, L=200	1	539-318	539-318	539-318

E10	Connection spring	ø3,2×144	1	308-022	308-022	308-022
-----	-------------------	----------	---	---------	---------	---------

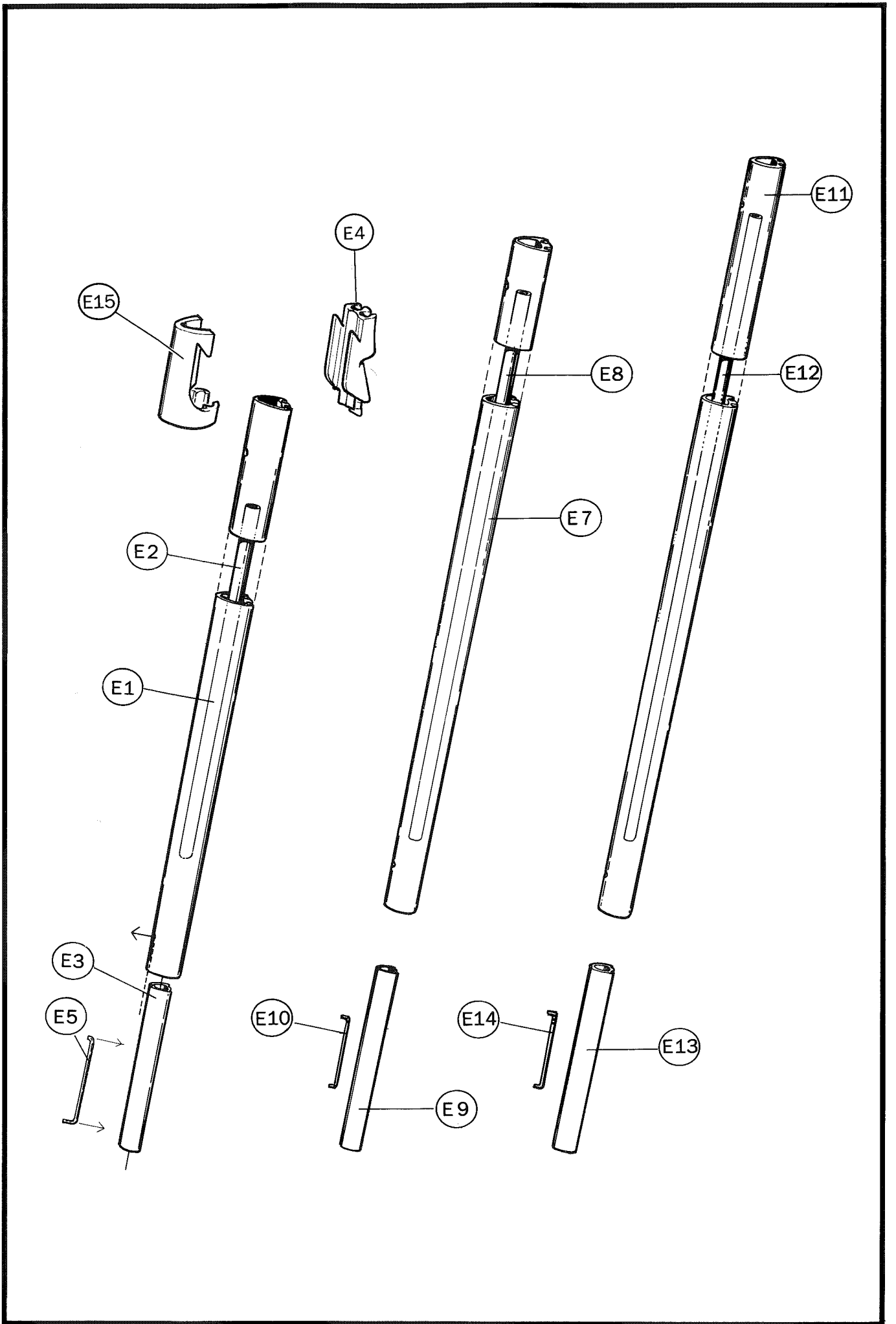
## LUFF EXTRUSION 2400 MM

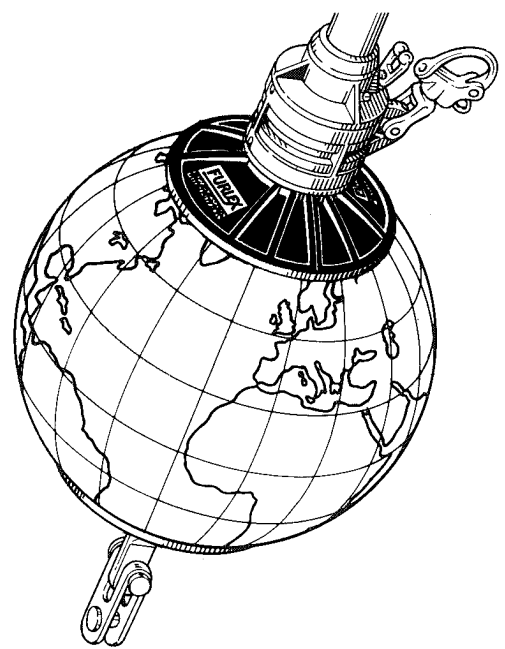
		<b>Assembly number →</b>		<b>539-314-01<sup>1)</sup></b>	<b>539-314-01<sup>1)</sup></b>	<b>539-314-01<sup>1)</sup></b>
E11	Luff extrusion	26/17, L=2400	1	539-314 1)	539-314 1)	539-314 1)
E12	Distance tube	ø12,3×ø6,9 ×2200	1	535-649 1)	535-649 1)	535-649 1)
E13	Joint sleeve	14/14, L=200	1	539-318 1)	539-318 1)	539-318 1)

E14	Connection spring	ø3,2×144	1	308-022 1)	308-022 1)	308-022 1)
-----	-------------------	----------	---	------------	------------	------------

1)	E11-E14 also as a package		1	539-314-05	539-314-05	539-314-05
----	---------------------------	--	---	------------	------------	------------

E 4	Sail feeder	Part no marked	1	539-324	539-324	539-324
E15	Sail feeder connector	Part no marked	1	539-325	539-325	539-325
E 5	Connection spring	ø3,2×103	1	308-018	308-018	308-018





**Bäste FURLEX-ägare,**

*FURLEX säljs genom ett nät av auktoriserade återförsäljare som täcker alla marina marknader runt om i världen.*

*Auktorisationen omfattar praktisk och teoretisk utbildning i hur FURLEX-systemet är uppbyggt. Denna kunskap innebär professionell service till Dig som FURLEX-ägare.*

*Vi önskar Dig mycket skön segling och hoppas att denna återförsäljarlista kan vara till nytta om Du någon gång behöver kontakta en återförsäljare för service.*

**Dear FURLEX owner,**

*FURLEX is supplied via an extensive network of authorized dealers who cover the major sailing areas of the world. The authorization ensures that each dealer is fully versed in the design, assembly and operation of FURLEX — and is guarantee of professional service.*

*We wish you much enjoyable and carefree sailing and hope that this dealer-list will be of help should you ever require professional advice or assistance.*

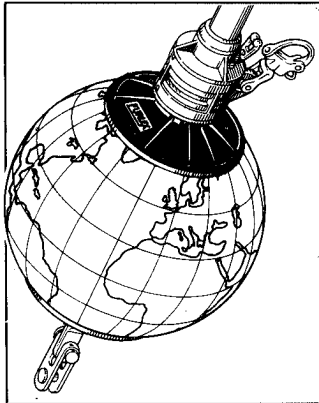
**Lieber FURLEX-Eigner,**

*FURLEX wird über ein weltweites Netz von autorisierten Fachhändlern in den meisten Segelsportregionen verkauft.*

*Die Autorisierung dieser Fachhändler erfolgt nach einer gründlichen theoretischen und praktischen Schulung in der FURLEX-Technik und stellt sicher, dass nicht nur ein qualifizierter Verkauf erfolgt, sondern dass auch bei Bedarf ein fachgerechter Kundendienst gewährleistet ist. Wir wünschen Ihnen angenehmes und problemloses Segeln mit Ihrer FURLEX.*

*Wenn Sie jedoch einmal ein Problem haben sollten, können Sie sich an einen der folgenden FURLEX-Fachbetriebe wenden.*

# World Wide Rapid Access to our Know-How



The Seldén Group is one of the world's largest manufacturers of spars and rigging systems for yachts between 2 and 30 tonnes displacement. The acquisition of Kemp Masts in England has strengthened this position further.

At Seldén and Kemp, we are sailors. Our extensive sailing experience combined with practical engineering knowledge are at the heart of our business. This guarantees care, attention to detail and a total commitment to quality.

With design and production facilities on Sweden's West Coast and England's South Coast, we are able to test and refine our products under tough, practical, sea-going conditions.

Quality control does not stop at the production line. It is our Group policy to encourage a high regard for quality right through the distribution and service network – for the benefit of our customers.

Based on our global success with Furlex, we have built up a network of 420 authorized dealers covering the marine markets of the world. This gives you quick access to service, spare-parts and know-how wherever you may happen to be. Have Confidence!

Dealer:



J.S. Elcano, 6, 03730 JAVEA (Alicante)  
Tel. 96 646 12 11 · Fax: 96 646 12 13  
[www.blaumar.com](http://www.blaumar.com)



## SELDÉN

Seldén Mast AB  
Redegatan 11, 426 77 V. Frölunda, Sweden  
Telephone 031-69 69 00 Int +46 31 69 69 00  
Telefax 031-29 71 37 Int +46 31 29 71 37

## KEMP

a Seldén Group Company  
Kemp Masts Ltd, St. Margarets Lane, Titchfield, Fareham,  
Hampshire P014 4 BG, England  
Telephone Int 44 1329 84 19 00 Telefax Int 44 1329 84 70 52